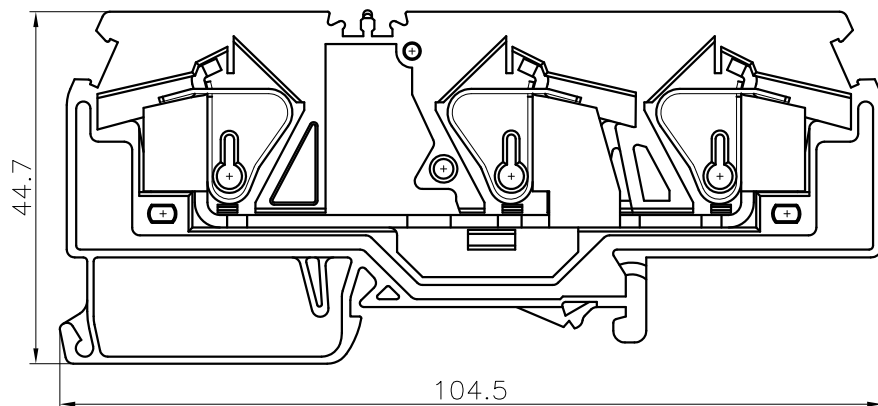
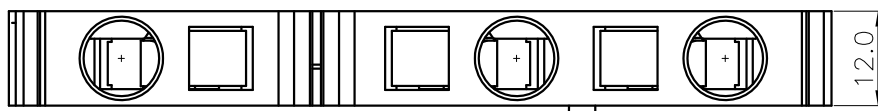
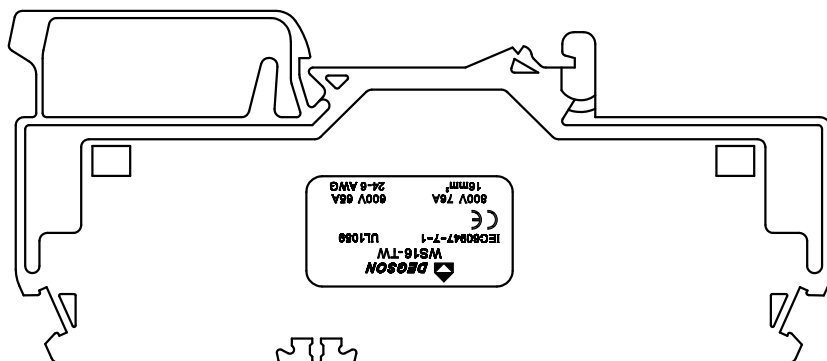


REVISION RECORD				
REV	ECN	DESCRIPTION	DRFT	DATE



NOTES1:

- UL Standard
- 1.Rated voltage/current : 600V / 65A
- 2.Withstanding voltage : AC2200V/1Min.
- 3.Wire range : 24~6AWG

IEC Standard

1. Pollution degree	3
Overtoltage category	III
Rate impulse voltage(KV)	8.0KV
Rate voltage(V)	800V
Rate current(A)	76 A

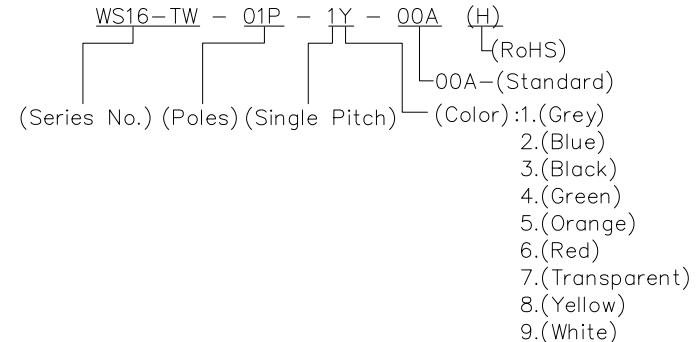
- 2.Wire range : 0.5~16mm<sup>2</sup>

NOTES2:

- 1.Dimension shall be interpreted per ASME Y14.5-2009
- 2.Pitch : 12.0mm, Poles : 01P
- 3.Stripping length : 16~17mm
- 4.Operating temperature: -40°C~+105°C
- 5.Undimensioned tolerances:

Pitch range in mm		Nominal dimension range in mm						±	∩	∟
TO	Over	TO	Over	TO	Over	TO	Over	0.1/10		
6	10	6	10	30	60	100	150	<		
±0.15	±0.20	±0.30	±0.30	±0.50	±0.70	±1.00	±1.30	±2'		

6.RoHS Compliance



DETACHED LISTS	PART NO.:	/			
	APPD:	/			
	CHKD:	/			
	DRFT:	/			
	<p>THIRD ANGLE PROJECTION</p>		DRAWING NO.:		/
		MM (INCH)		DO NOT SCALE DRAWING	
		TITLE: CUSTOMER DRAWING		REV	DO
		DRAWING NO.:		SHEET	1/1
		SCALE		1:1	